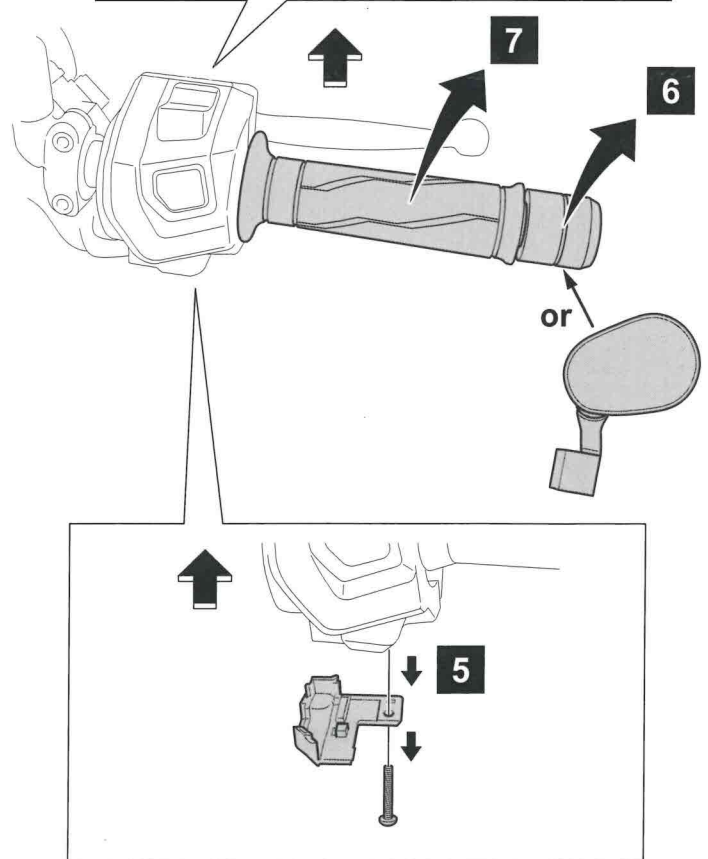
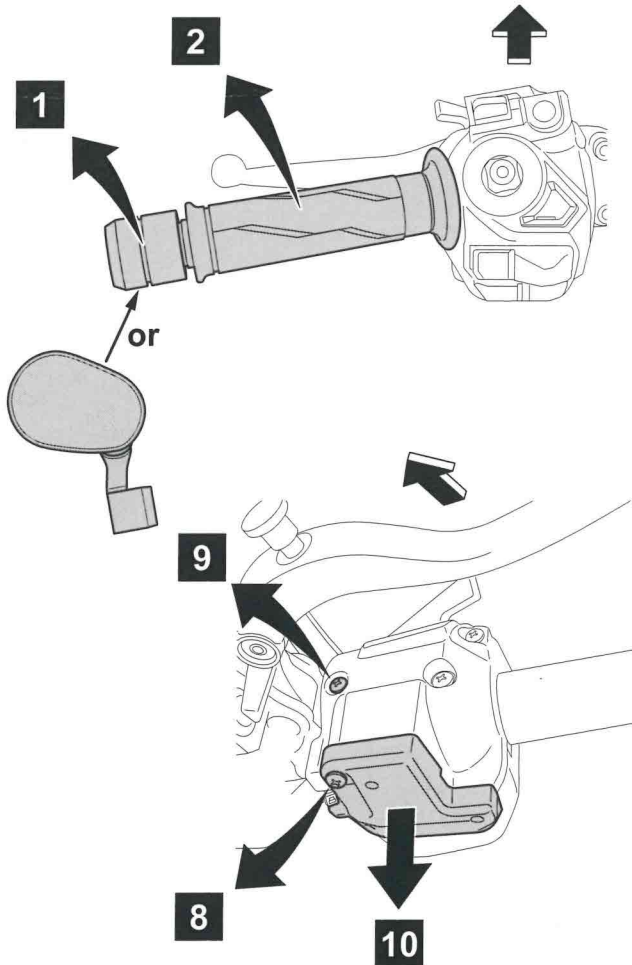
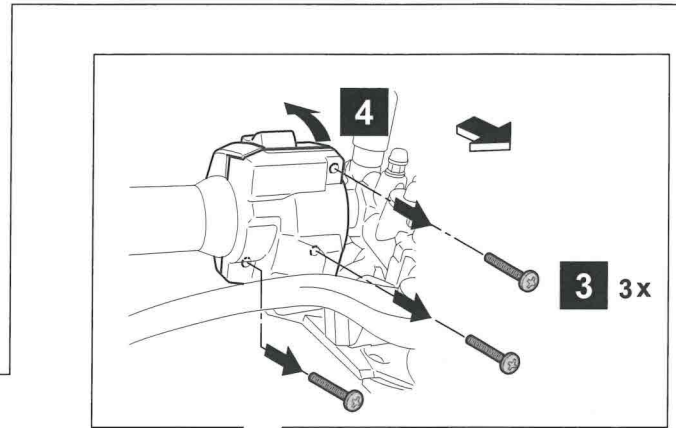


**GRIP WARMER KIT**

Posnr.	QTY	
①	1	
②	1	
③	1	
④	6	
⑤	2	
⑥	1	



**COMMON (Installation on handle)**



Easy, suitable for novice with little experience

Fairly easy, suitable for beginner with some experience

Fairly difficult, suitable for competent DIY mechanic

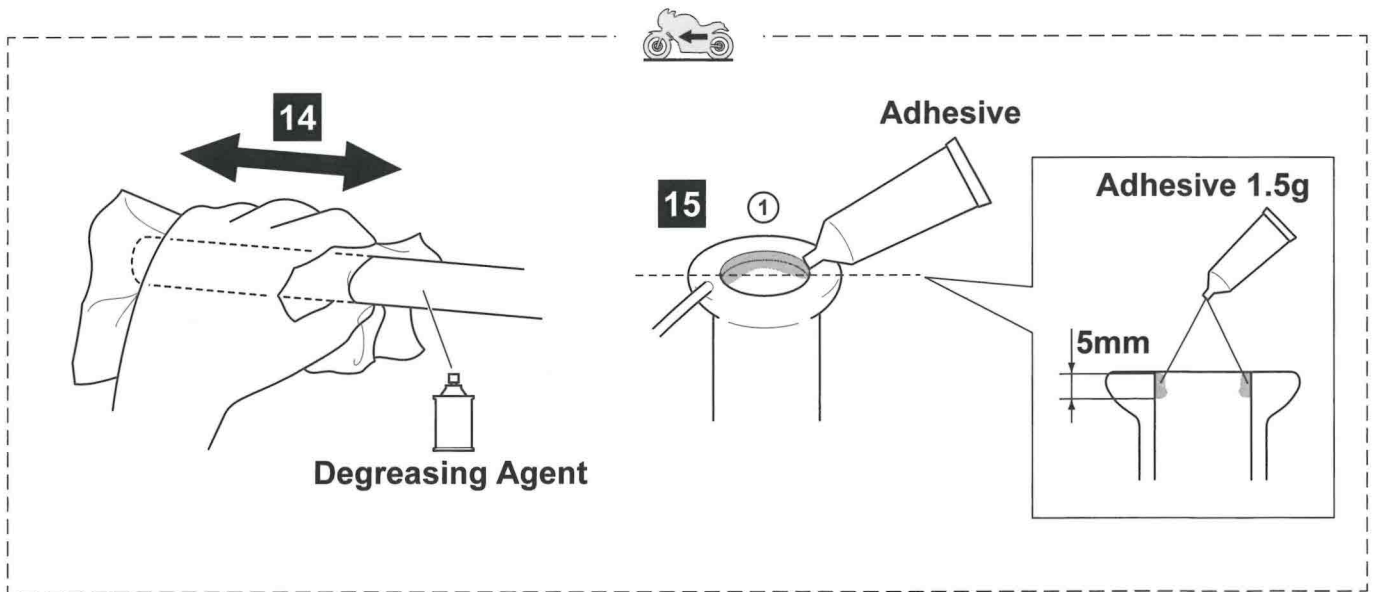
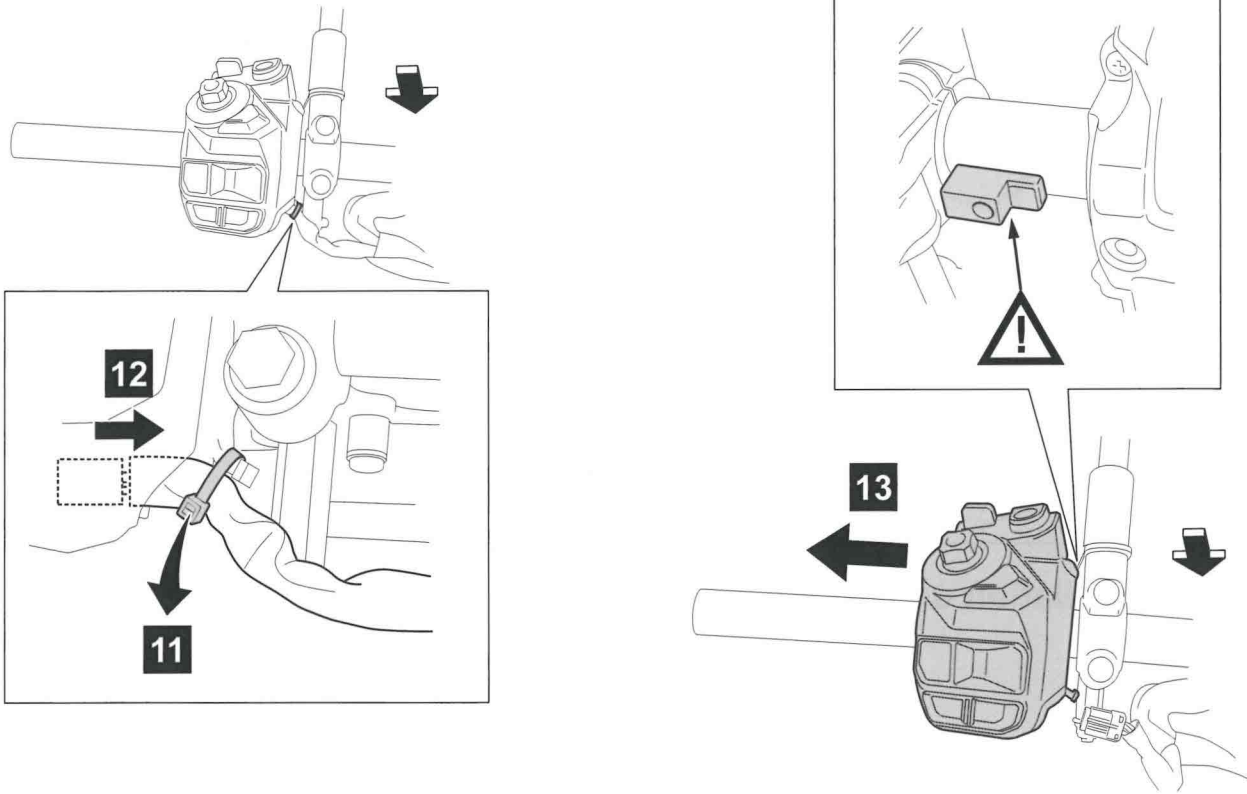
Difficult, suitable for experienced DIY mechanic

Very difficult, suitable for expert DIY or professional



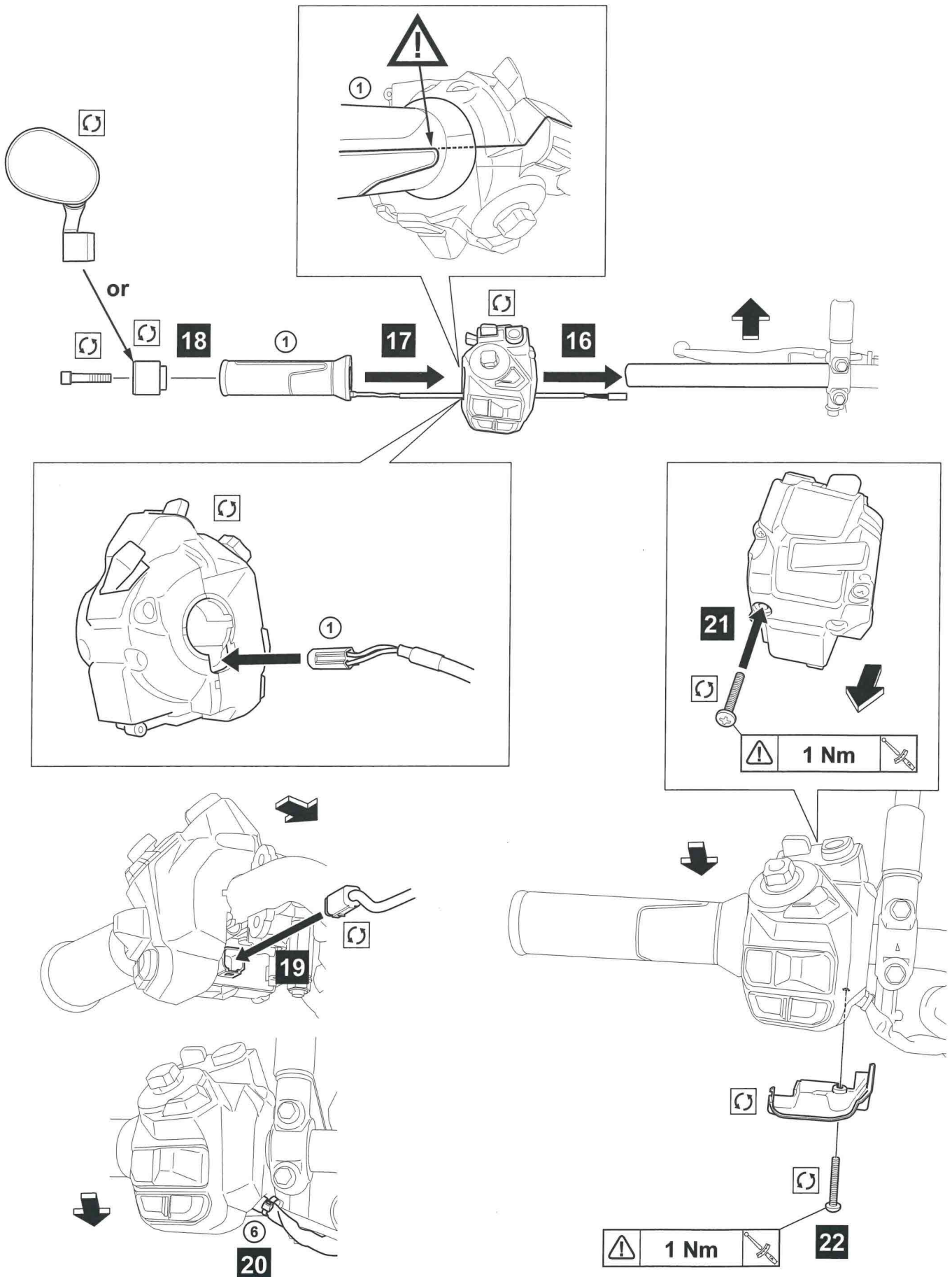
**GRIP WARMER KIT**

**COMMON (Installation on handle)**



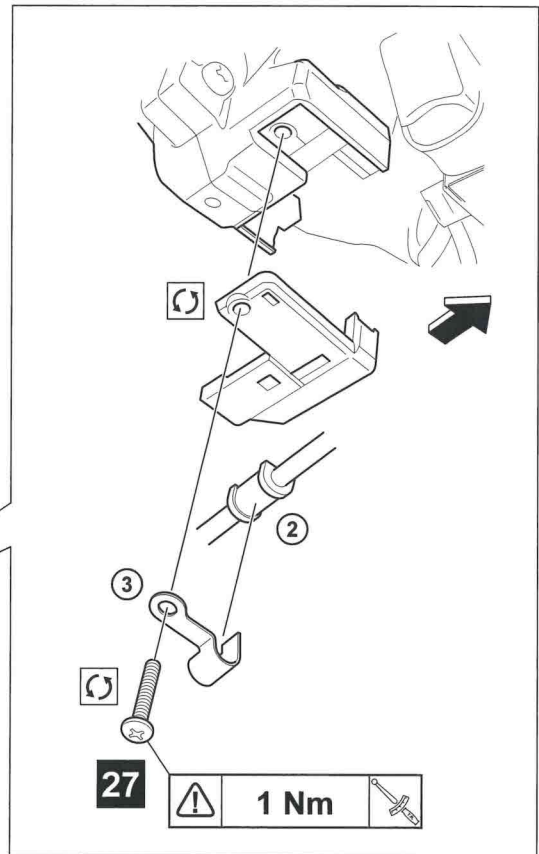
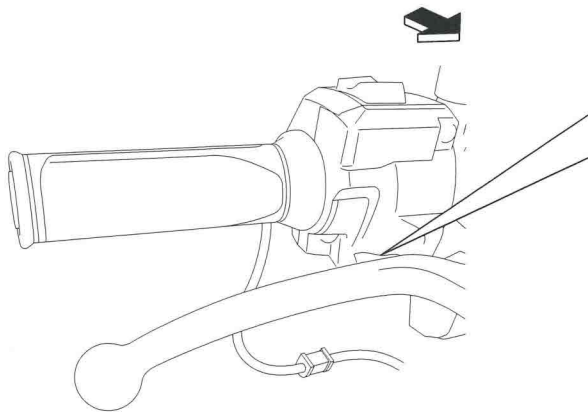
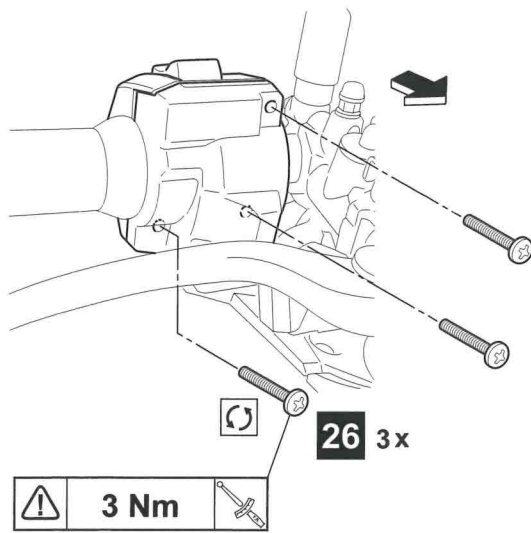
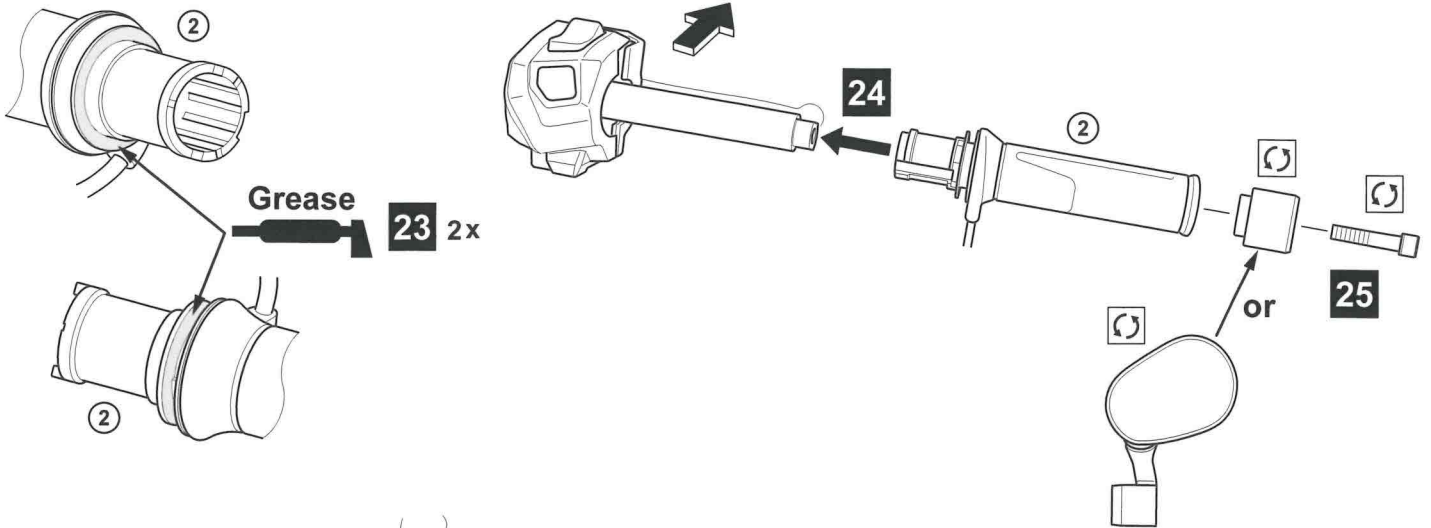
**GRIP WARMER KIT**

**COMMON (Installation on handle)**



**GRIP WARMER KIT**

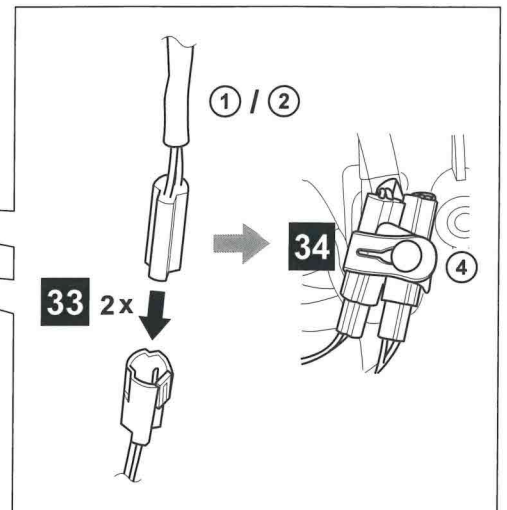
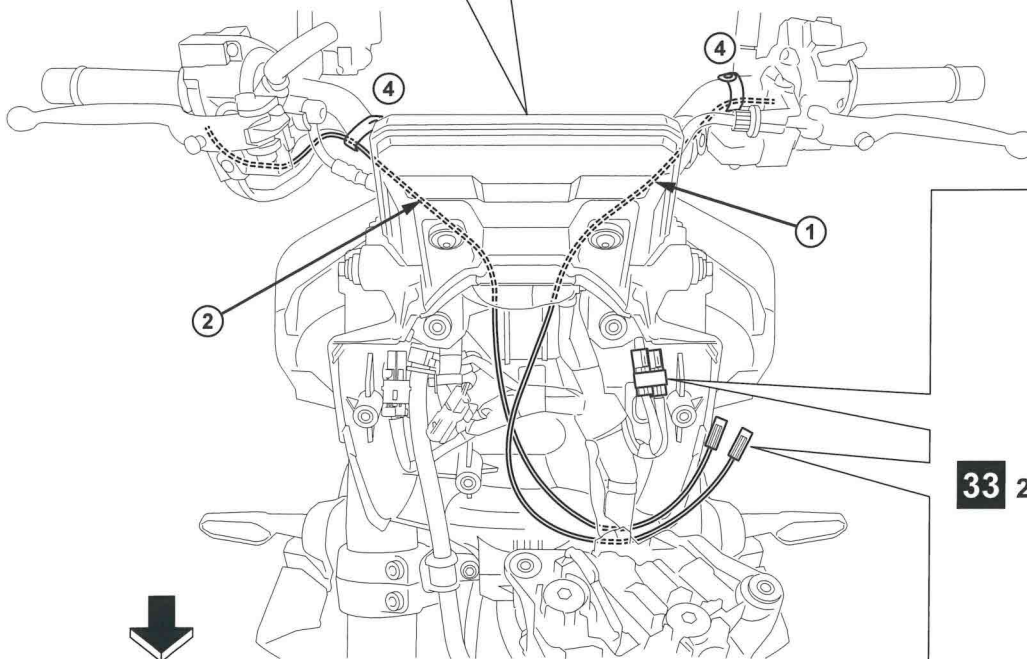
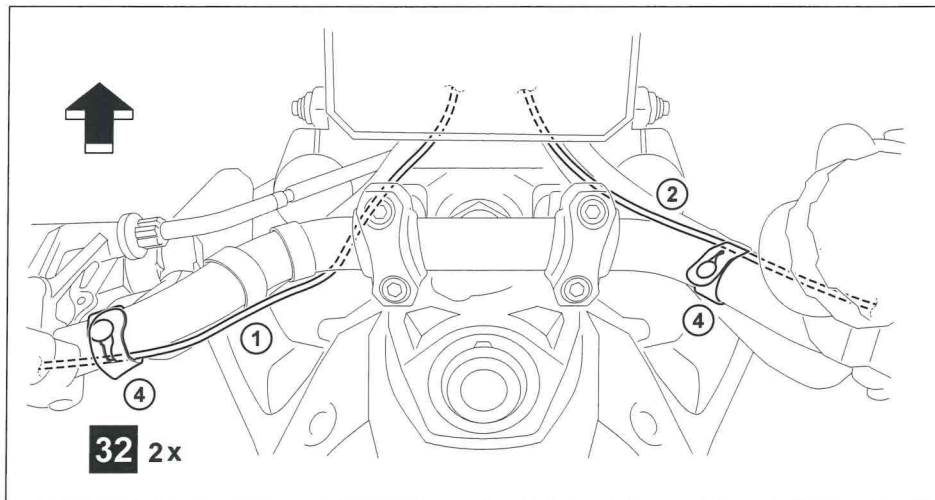
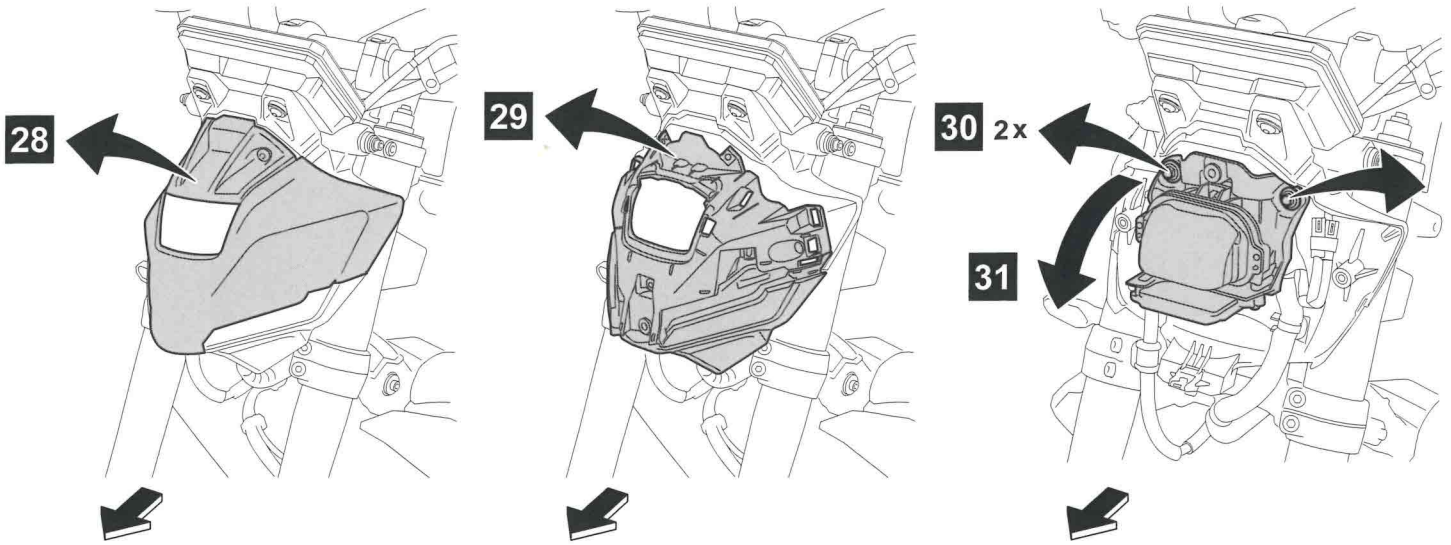
**COMMON (Installation on handle)**





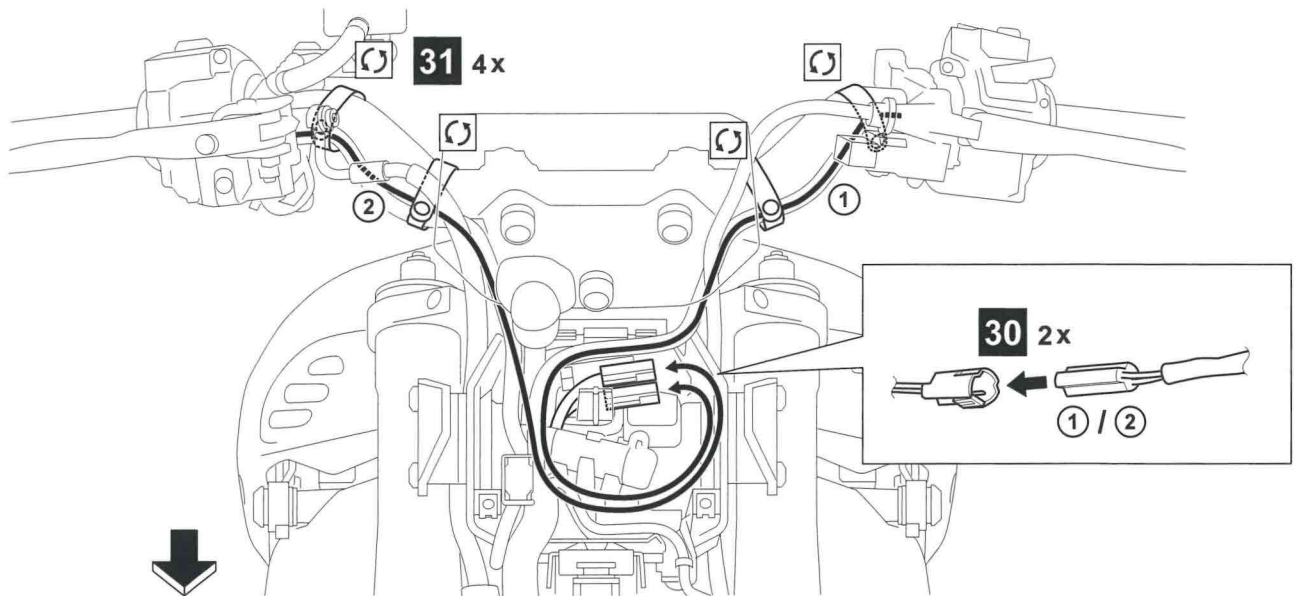
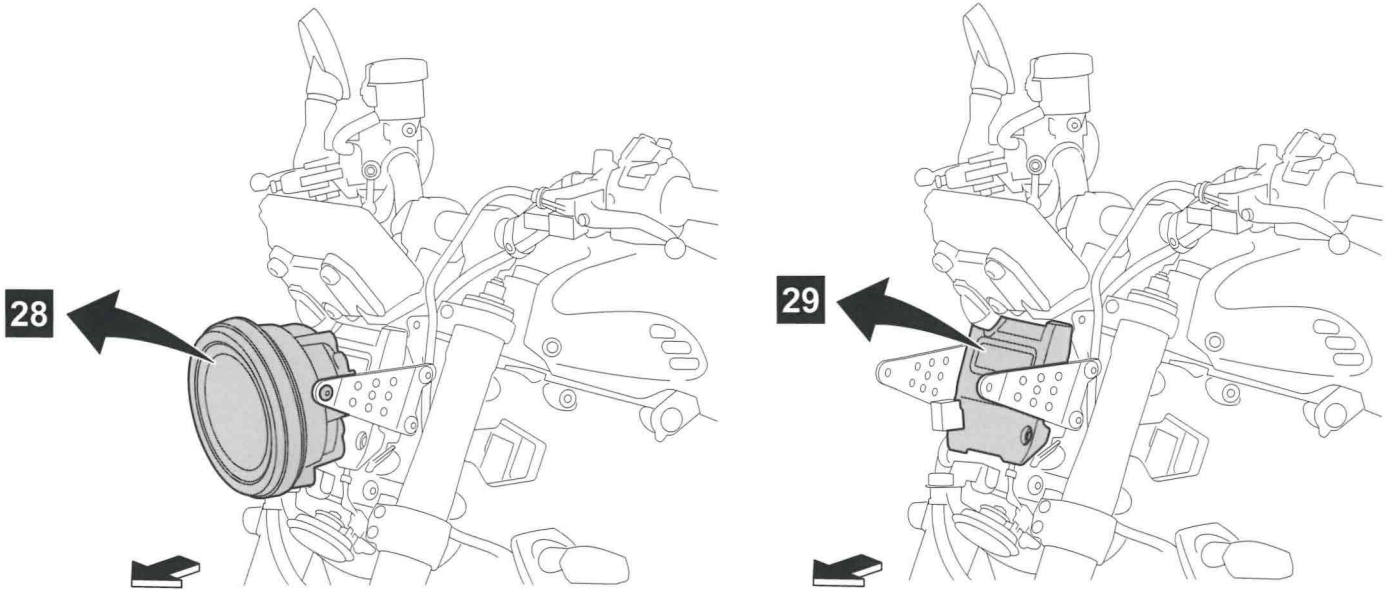
**GRIP WARMER KIT**

**MT-09 (Wiring)**



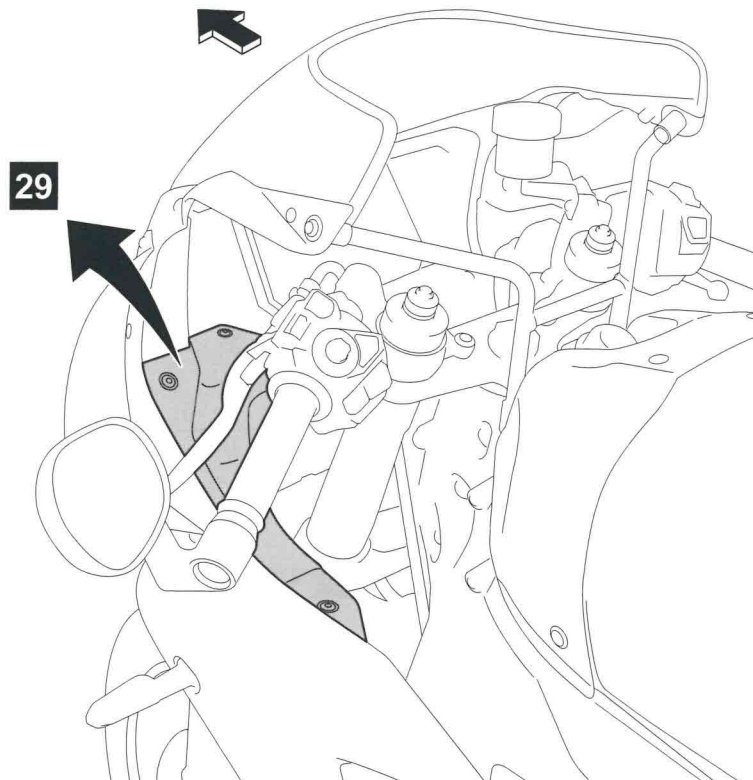
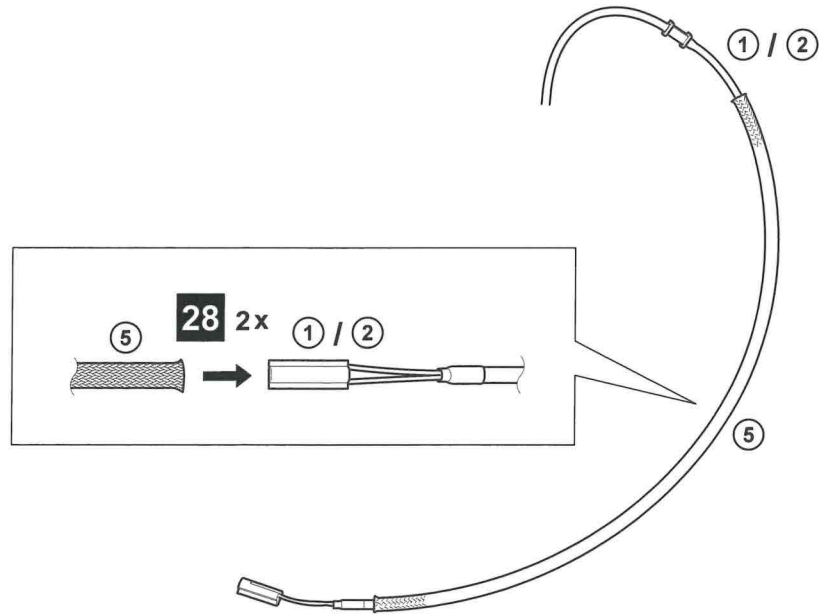
**GRIP WARMER KIT**

**XSR900 (Wiring)**



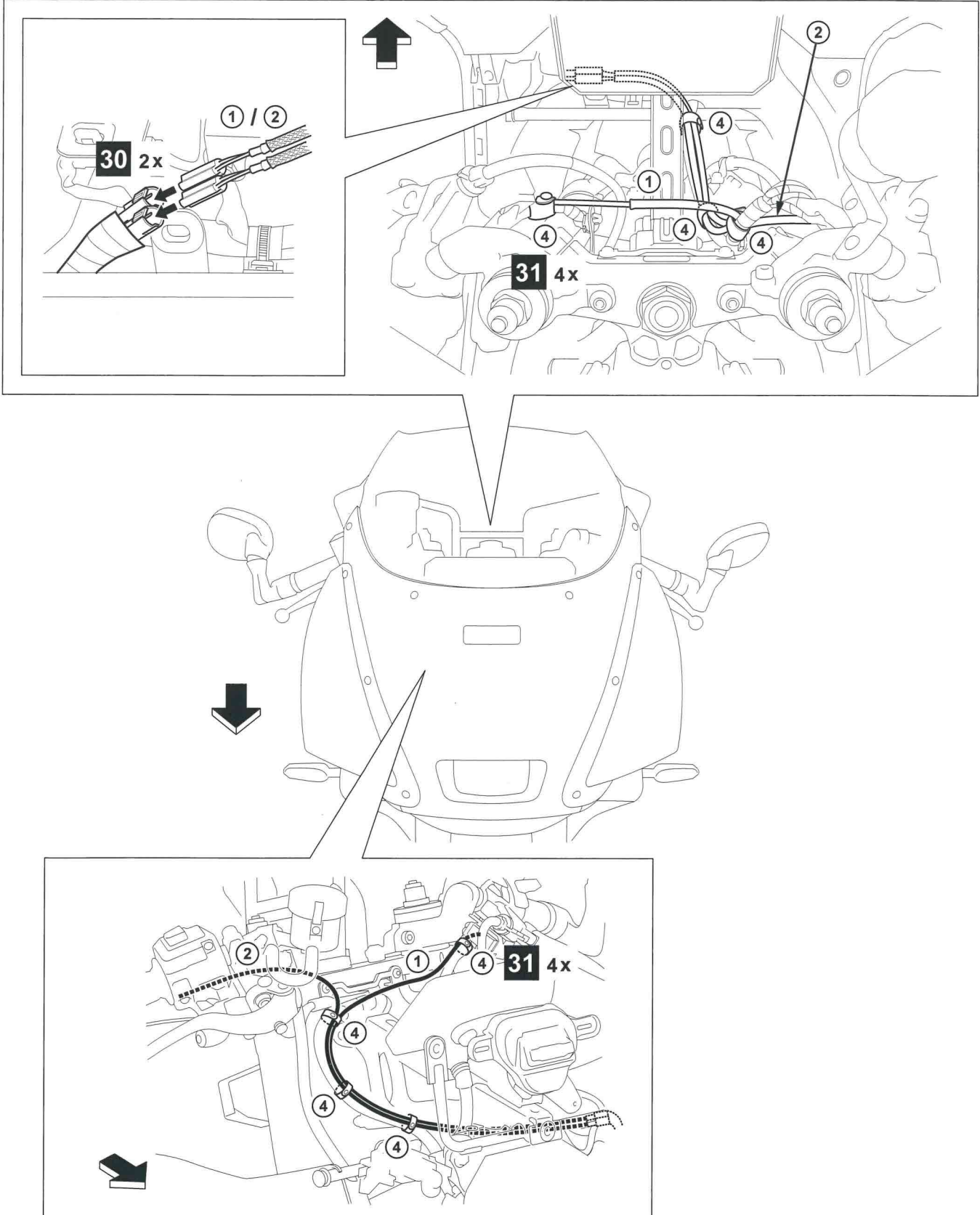
**GRIP WARMER KIT**

**XSR900GP (Wiring)**



**GRIP WARMER KIT**

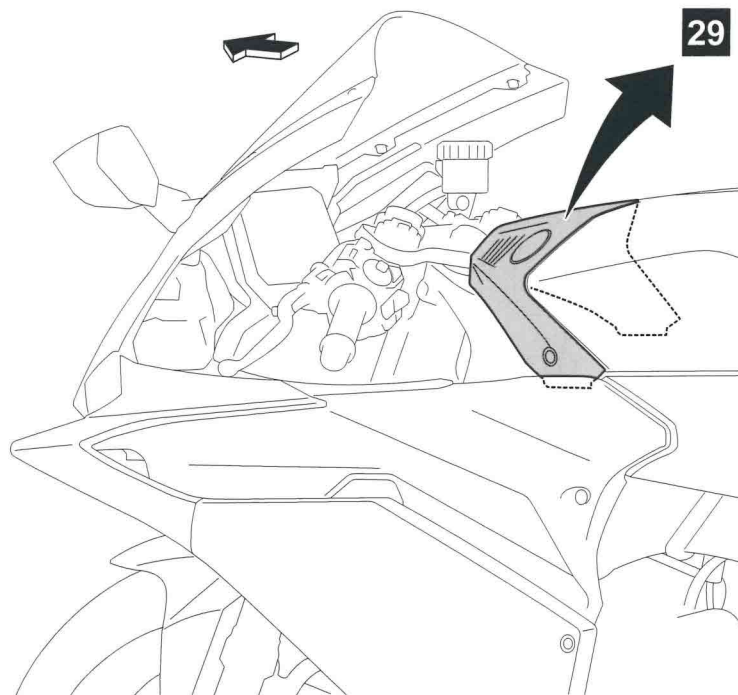
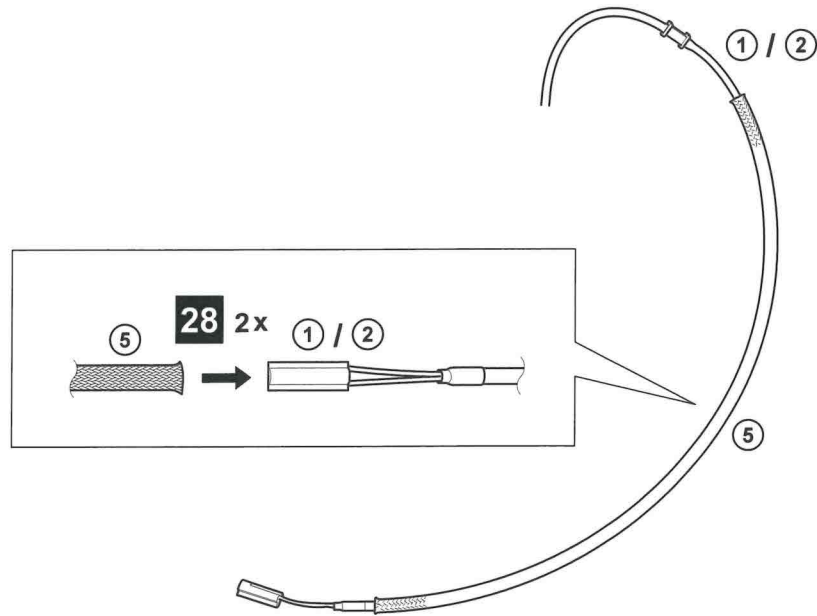
**XSR900GP (Wiring)**





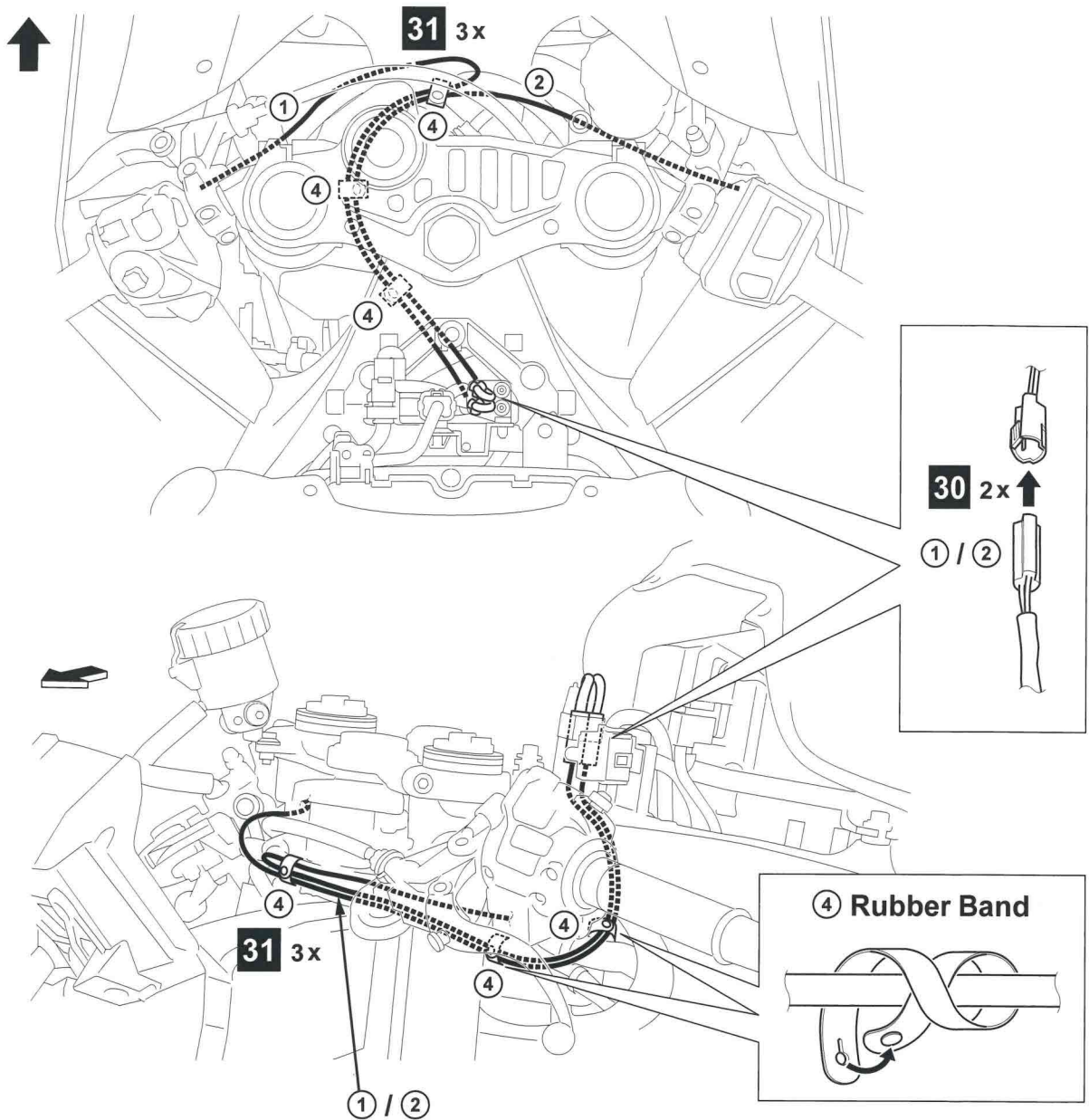
**GRIP WARMER KIT**

**YZF-R9 (Wiring)**



**GRIP WARMER KIT**

**YZF-R9 (Wiring)**



**Note**

\* Wiring for other models, see sub-wire manual.



The meter display is a example.